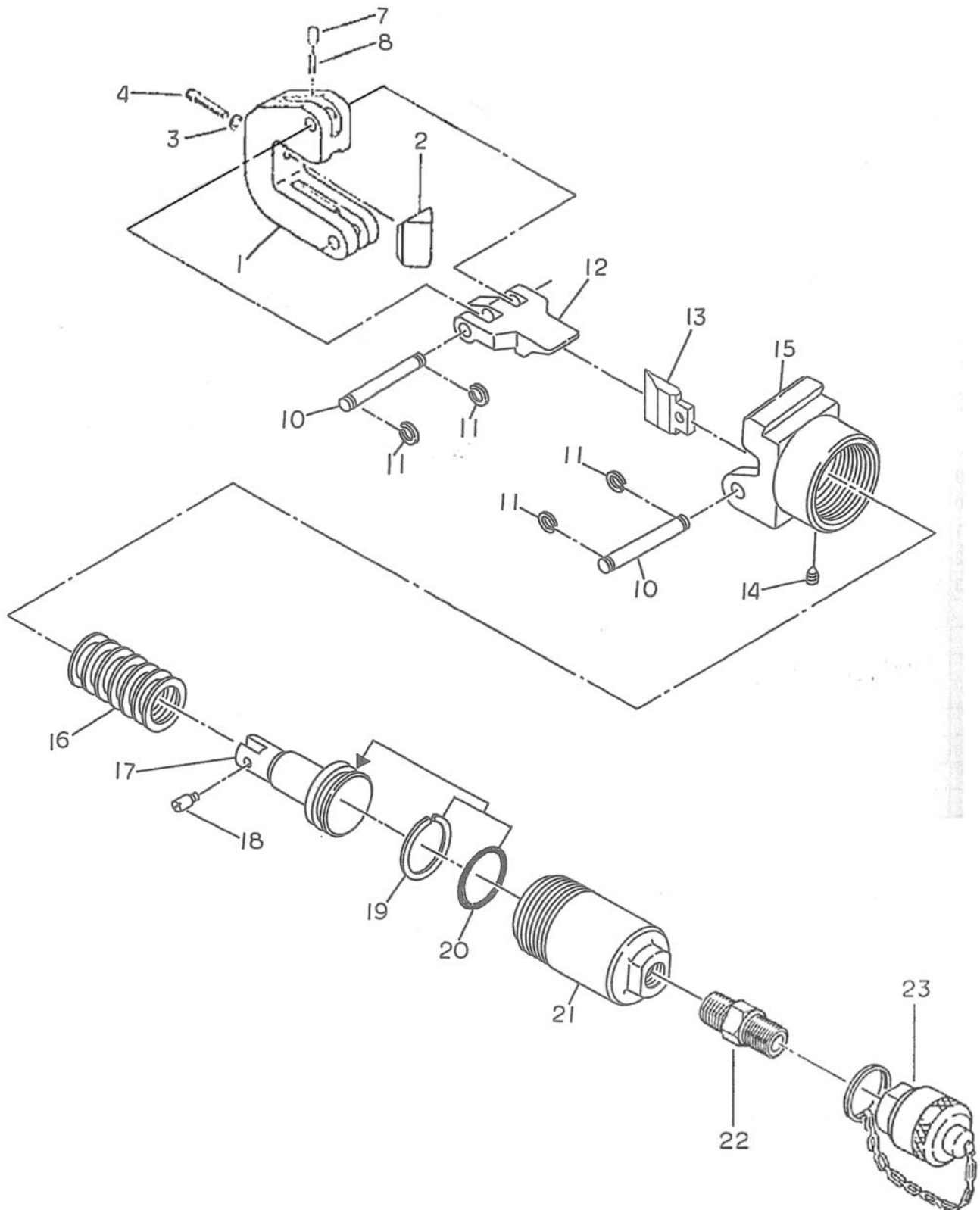




**Huskie**  
**TOOLS**

# MODEL SP-24CC

## Parts Diagram





**Huskie**  
**TOOLS**

# MODEL SP-24CC

## Parts List

NO.	DESCRIPTION	CODE	QTY.
1	HEAD	24C-02	1
2	ANVIL BLADE	24C-04B	1
3	LOCK WASHER	16-02	1
4	M6 X 20 SCREW	RF-05	1
7	SLIDE PIN	20-71	1
8	SPRING (144)	85-37	1
10	PIN (142)	24-06	2
11	CE-10 SNAP RING	40-16	4
12	LATCH	24-07	1
13	CUTTER BLADE	24C-08	1
14	M5 X 5 SCREW (C.P.)	RD-16	1
15	CYLINDER HEAD	P24-01	1
16	SPRING (379)	P24-02	1
17	RAM	P24-03	1
18	BLADE SCREW	16-19	1
19	P-34 BACK-UP RING (B.C.)	85-22	1
20	P-34 O-RING	85-23	1
21	CYLINDER	P24-04	1
22	3/8" NPT NIPPLE	3/8X3/8FF	1
23	MALE COUPLER	MC-8/DC-8	1