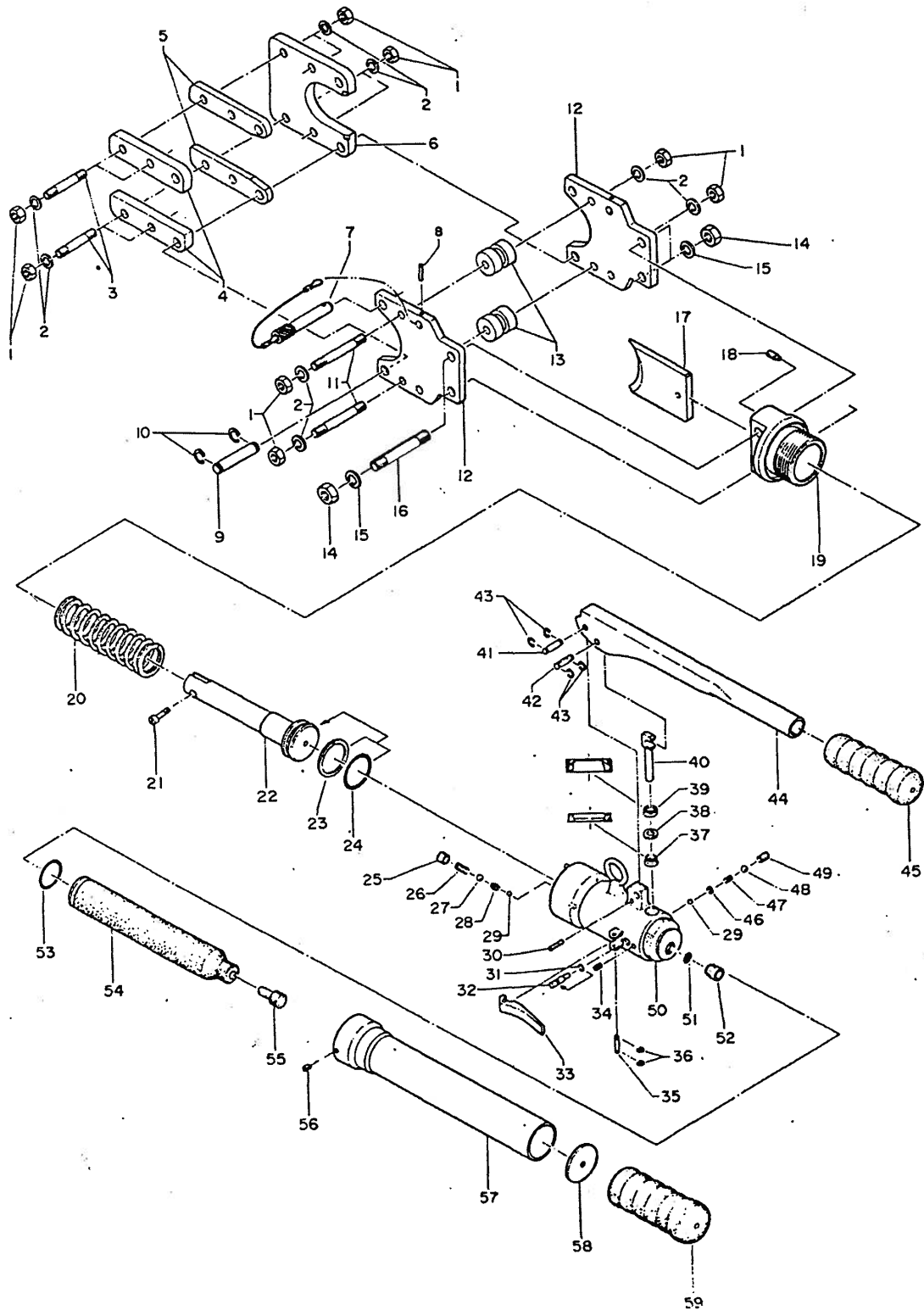




**Huskie**  
**TOOLS**

### S-55B BREAKDOWN



## S-55B PARTS LIST

PART NO.	DESCRIPTION	QTY.	CODE NO.		PART NO.	DESCRIPTION	QTY.	CODE NO.
1	M10 Hex Nut	12	40-31		31	P-3 O-Ring	1	16-36
2	M10 Lock Washer	12	40-32		32	Release Valve Stem	1	55A-20
3	Stud Bolt (7)	4	55-01		33	Release Lever	1	55A-19
4	Head Shear Plate	2	55-02		34	Release Lever Spring (77)	1	16-37
5	Spacer	2	55-03		35	Pin (26)	1	16-27
6	Head Shear	1	55-04		36	E-2.5 Snap Ring	2	16-28
7	Lock Pin Assembly	1	55E-01		37	PS-8 Pent Seal	1	16-44
8	2x20 Drive Pin	1	55E-02		38	P-8 Back-Up Ring (B.C)	1	85-33
9	Pin (18)	1	55-08		39	G-8 Dust Seal	1	40A-05
10	CE 12 Snap Ring	2	55-09		40	Pump Piston	1	55A-18
11	Stud Bolt (8)	2	55-10		41	Pin (27)	1	40-48
12	Support Plate	2	55E-03		42	Pin (91)	1	55A-15
13	Roller	2	55-13		43	CE-7 Snap Ring	4	40-49
14	M12 Hex Nut	4	55-14		44	Pump Handle	1	55A-16
15	M12 Lock Washer	4	40-09		45	Pump Handle Grip	1	40-51
16	Stud Bolt (15)	2	55-15		46	M3 Flat Washer	1	16-38
17	Blade	1	55-16		47	Release Valve Spring (76)	1	16-39
18	M5 x 10 Stopper Screw	1	55A-11		48	9/32" Ball	1	16-40
19	Body Head	1	55A-12		49	M10 x 14 Screw	1	55-27
20	Ram Spring (103)	1	55-18		50	Body	1	55A-21
21	Blade Screw	1	55-19		51	Filter	1	55A-22
22	Ram	1	55E-04		52	Suction Tube	1	55A-23
23	P-36 Back-Up Ring	1	55-21		53	P-26 O-Ring	1	16-55
24	P-36 O-Ring	1	55-22		54	Oil Reservoir	1	40A-07
25	Exhaust Valve Screw (6)	1	55A-17		55	Reservoir Cap	1	410-55
26	Exhaust Valve Spring (67)	1	85-39		56	M4 x 5 Screw	1	55A-24
27	9/32" Ball	1	16-40		57	Body Handle	1	55A-25
28	Suction Valve Spring (66)	1	85-40		58	Grip Base	1	40-56
29	3/16" Ball	1	16-49		59	Body Handle Grip	1	40-57
30	4 x 16 Dowel Pin €	2	40A-04		60	Carving Bag	1	55E-05