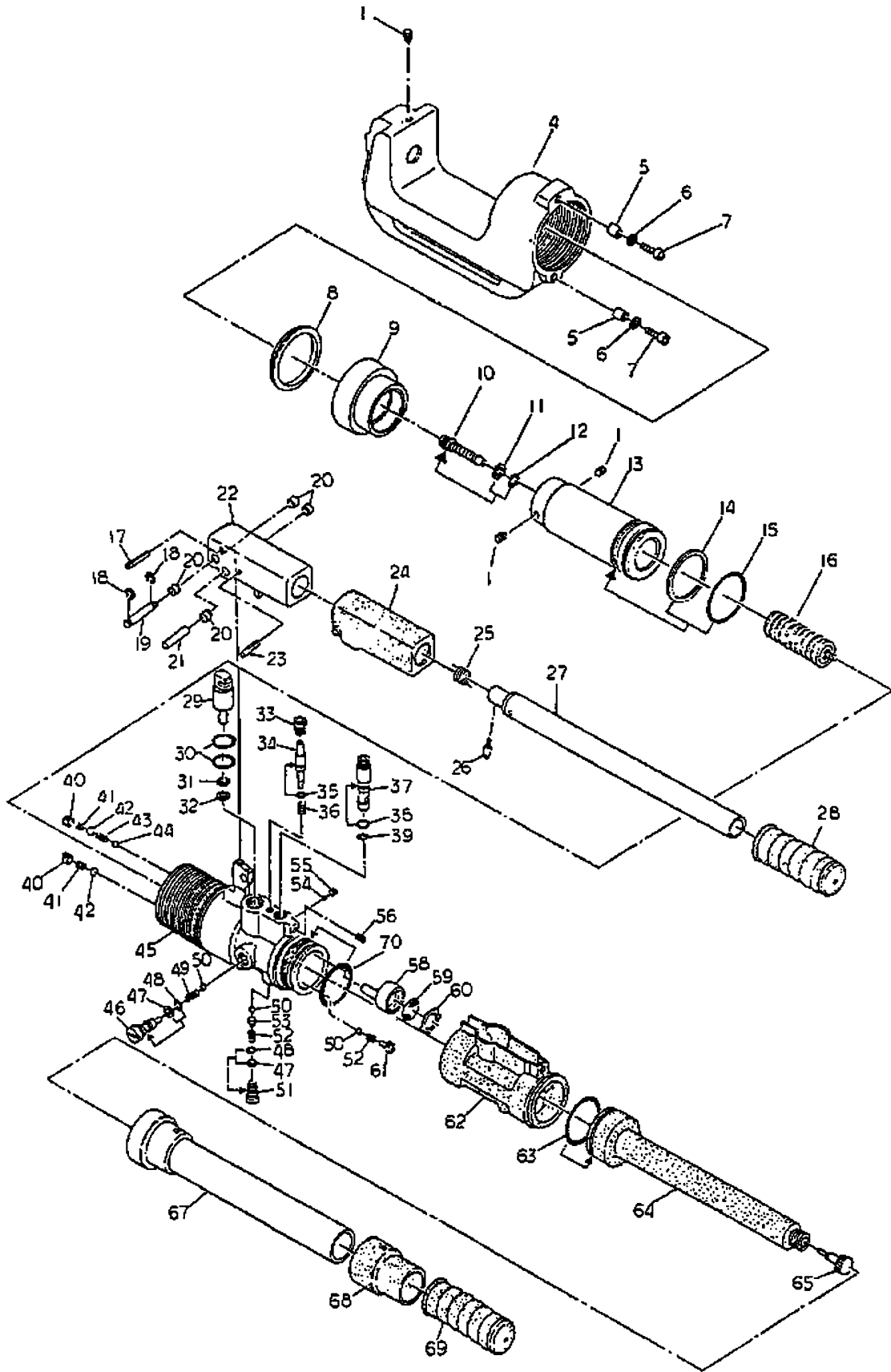


MODEL EP-510K DIAGRAM



MODEL EP-510K PARTS LIST

NO.	DESCRIPTION	CODE	QTY.	NO.	DESCRIPTION	CODE	QTY.
1	M5 X 10 SCREW (C.P.)	46-06	3	51	VALVE PLUG (1)	410-52	1
4	HEAD	510K-03	1	52	SPRING (43)	85-49	2
5	EP-510K SPACER	510K-09	2	53	SPRING HOLDER	410-51	1
6	M5 LOCK WASHER	410-09	2	54	5/32" BALL	22-21	1
7	M5 X 20 SCREW	40U-01	2	55	M5 X 5 SCREW (F.P.)	510A-05	1
8	SER-40 SCRAPER	51KD-02	1	56	M5 X 8 SCREW	410-49	1
9	BUSHING	510K-02	1	58	STRAINER	410-72A	1
10	SPRING	510K-13	1	59	FILTER SCREEN	410-73	1
11	P-7 BACK-UP RING (B.C.)	RB-49	1	60	SI-20 RING	410-74	1
12	P-7 O-RING	16-60	1	61	VALVE SCREW (22)	410-80	1
13	RAM	510K-01	1	62	BODY INSULATION	510A-27	1
14	P-42 BACK-UP RING (B.C.)	510-18	1	63	G-30 O-RING	75-26	1
15	P-42 O-RING	9H-17	1	64	OIL RESERVOIR	510-28	1
16	EP-510K SPRING (377)	510K-15	1	65	RESERVOIR CAP	410-55	1
17	5 X 32 DOWEL PIN (G)	85-57A	1	66	MAGNET	ROB-25	1
18	CE-7 SNAP RING	40-49	2	67	(WHITE)	510-30	1
19	PIN (85)	410-22	1	68	INSULATION	510-33	1
20	BUSHING	410-25	4	69	BODY HANDLE GRIP	510-31	1
21	PIN (84)	410-23	1	70	G-40 O-RING	P100A-05	1
22	PUMP HANDLE HEAD	410-24	1				
23	4 X 26 DOWEL PIN (G)	410-26	1				
24	INSULATION	410-27	1				
25	SPRING (146)	85-60	1				
26	PUSH PIN	85-61	1				
27	(WHITE)	410-30W	1				
28	PUMP HANDLE GRIP (2)	410-31	1				
29	PUMP PISTON	510-22	1				
30	P-22 O-RING (B.C.)	510-24A	2				
31	P-9 BACK-UP RING (B.C.)	32A-01	1				
32	PS-9 PEN SEAL	32-18	1				
33	RELEASE VALVE SCREW (7)	85-35	1				
34	RELEASE VALVE STEM	410-35	1				
35	P-3 O-RING (C.P.)	UC-27	1				
36	SPRING (144)	85-37	1				
37	BYPASS CARTRIDGE	410-36	1				
38	S-9 O-RING	410-71	1				
39	P-8 O-RING (C.P.)	410-43	1				
40	VALVE SCREW (10)	410-44	2				
41	SPRING (67)	85-39	2				
42	9/32" BALL	16-40	2				
43	SPRING (66)	85-40	1				
44	3/16" BALL	16-49	1				
45	BODY	510K-16	1				
46	SUCTION VALVE PLUG	410-46	1				
47	P-4 BACK-UP RING (B.C.)	410-47	2				
48	P-4 O-RING (C.P.)	410-48A	2				
49	SPRING (4)	16-48	1				
50	7/32" BALL	16-26	3				