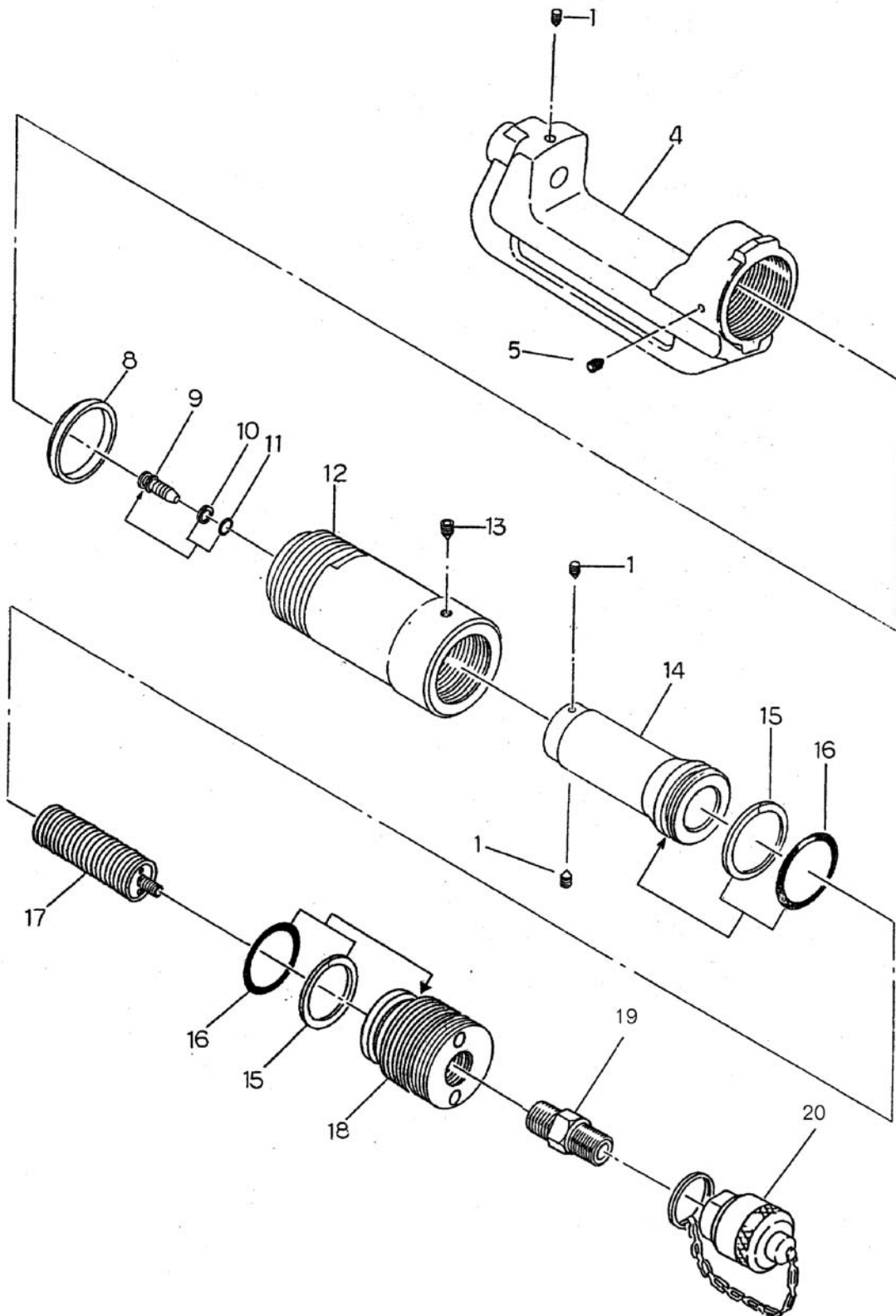




Huskie
TOOLS

MODEL EP-510HK

Parts Diagram





Huskie
TOOLS

MODEL EP-510HK

Parts List

NO.	DESCRIPTION	CODE	QTY.
1	M6 X 10 SCREW (C.P.)	46-06	3
4	HEAD	510K-03	1
5	M5 X SCREW (C.P.)	P55A-02	1
8	SER-38 SCRAPER	L100-10	1
9	SPRING ANCHOR SCREW (2)	510K-04	1
10	P-7 BACK-UP RING (B.C.)	RB-49	1
11	P-7 O-RING	16-60	1
12	CYLINDER	510K-05	1
13	M5 X 5 SCREW (C.P.)	RD-16	1
14	RAM	510K-07	1
15	P-36 BACK-UP RING (B.C.)	55-21	2
16	P-36 O-RING	55-22	2
17	SPRING (307)	510K-06	1
18	END CAP	510K-08	1
19	3/8" NPT-NPT NIPPLE	3/8X3/8FF	1
20	MALE COUPLER	MC-8/DC-8	1